

Limit Switches - Safety Type Plastic Body IP65 and Metal Body IP66



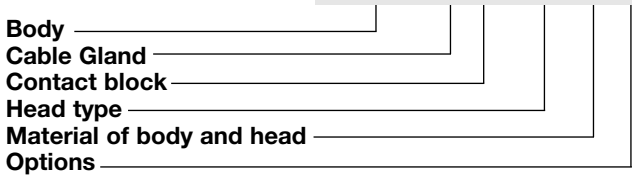
- High mechanical resistant
- Double Insulation □ (for thermoplastic type)
- Degree of protection IP65 (thermoplastic) IP66 (metal)
- Reinforced UL-V0 thermoplastic fiber-glass body
- Zinc alloy (Zamack) or aluminium body
- Positive Opening Operation ☺
- Minimum Actuation Force/Torque
- Minimum Force to achieve Positive Opening Operation
- Precise operating points (consistency)
- Immune to electromagnetic disturbances
- Zb type contact blocks
- Current Ith = 10A
- Rated insulation voltage Ui = 500V
- UL, CSA, CE
- Conform with IEC 947-5-1 (EN 60947-5-1)

Product Description

They are developed in order to be used for following operations:
For monitoring and protection of industrial machines, without inertia, in which down-time is less than access time to the dangerous area.
Use on sliding or pivoting protectors (covers, cases, doors, grids, etc.).
To protect operators working on dangerous machines, by opening the control circuit. Withdrawal of key by opening the mobile protector, causes immediate

stopping of the machine drive. Specific limit switches ideal for monitoring and protection of light industrial machines without inertia, equipped with angular movement protectors (doors, hinges, rotative covers, grid, etc.).
Detection by the rotative axis or by means of a lever. Opening of the mobile protector guarantees operator protection by immediately stopping the machine drive.
To control the access point of the hazardous area.

Ordering Key **PS21S-PS1105-T00**



Description of the key codes

| for Key actuator (key must be ordered separately) Hinge and Wire | | | | | |
|---|---|-----|----|---|-----------------|
| PS21S | P | S11 | 05 | T | 00 |
| PS42S | N | S02 | 09 | Y | |
| PS21H | B | T11 | HZ | | |
| PS42H | A | O11 | HS | | |
| | M | T02 | HC | | |
| PS21R | | | N6 | | |
| PS42R | | | N7 | | K0 ⁴ |

| for Key actuator (key must be ordered separately) and Wire | | | | | |
|---|---|-----|----|----------------|-----------------|
| PS31S | P | S11 | 05 | Y | 00 |
| PS43S | N | S02 | | T ⁵ | |
| | M | T11 | | | |
| PS31R | | O11 | N7 | | |
| PS43R | | T02 | N7 | | K0 ⁴ |
| | | T21 | | | |
| | | T12 | | | |
| | | T03 | | | |

Cable Gland

| | |
|----------|---------|
| M | M20 |
| P | PG13.5 |
| B | PG11 |
| A | M16 |
| N | 1/2 NPT |

Contact block

| | |
|------------|-------------------------|
| O11 | 1NO+1NC overlap slow(+) |
| S02 | 2NC snap(+) |
| S11 | 1NO+1NC snap(+) |
| T02 | 2NC slow(+) |
| T03 | 3NC slow(+) |
| T11 | 1NO+1NC slow(+) |
| T12 | 1NO+2NC slow(+) |
| T21 | 2NO+1NC slow(+) |

Material of body and head

| | |
|----------|---|
| T | Thermoplastic Body and Thermoplastic head |
| Y | Metal Body and Thermoplastic head |

Body

| | |
|--------------|---|
| PS21H | PS 30mm/1.18" (fix 20/22mm/0.79"/0.87") 1 cable inlet for hinge (shaft or pin) |
| PS42H | PS 50mm/1.97" (fix 40/42mm/1.57"/1.65") 2 cable inlet for hinge (shaft or pin) |
| PS21R | PS 30mm/1.18" (fix 20/22mm/0.79"/0.87") 1 cable inlet for pull wire |
| PS31R | PS 40mm/1.57" (fix 30mm/1.18") 1 cable inlet for pull wire |
| PS42R | PS 50mm/1.97" (fix 40/42mm/1.57"/1.65") 2 cable inlet for pull wire |
| PS43R | PS 60mm/2.36" (fix 40/42mm/1.57"/1.65") 3 cable inlet for pull wire |
| PS21S | PS 30mm/1.18" (fix 20/22mm/0.79"/0.87") 1 cable inlet for Key actuator |
| PS31S | PS 40mm/1.57" (fix 30mm/1.18") 1 cable inlet for Key actuator |
| PS42S | PS 50mm/1.97" (fix 40/42mm/1.57"/1.65") 2 cable inlet for Key actuator |
| PS43S | PS 60mm/2.36" (fix 40/42mm/1.57"/1.65") 3 cable inlet for Key actuator |

Head type

| | |
|-----------|------------------------------|
| 05 | 90° Adj. key head |
| 09 | Fully turnable key head |
| HC | Zinc plated steel LEVER |
| HS | Stainless steel shaft |
| HZ | Zinc plated steel shaft |
| N6 | Pull wire for simple stop |
| N7 | Pull wire for emergency stop |

Options

| | |
|-----------|-------------------|
| 00 | no option |
| K0 | with reset button |

Utilization precautions

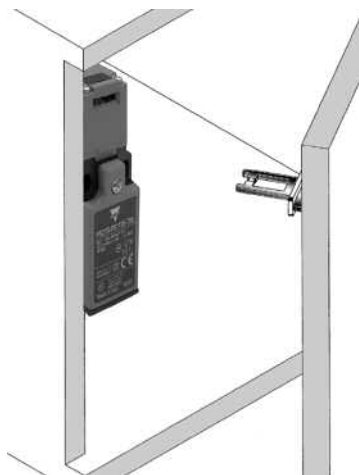
Maximum lenght application of pullwire head



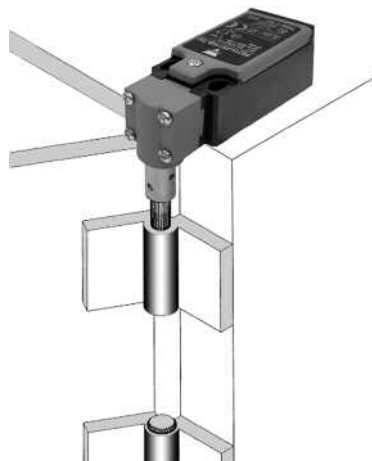
PS21, PS42: 6m/19.70ft max.
PS31, PS43: 16m/52.49ft max.

PS21, PS42: 15m/49.21ft max.
PS31, PS43: 25m/82.02ft max.

Example of applications



Key actuator type



Head for hinge (by pin)



Head for hinge (by shaft)

Adjustment

5 way key actuator head



Accessories for Pull Wire Limit Switches

| | | | |
|---|--|---|---|
|  |  |  |  |
| OCC 8 Stay bolt | MOR 05 Rope Clamp | RED 05 Rope Eye | FUN 05 Rope 5mmx100m 0.20" x 328.08ft |

Technical Data

| | | |
|---|--|-------------------|
| | Plastic Body | Metal body |
| Standards | IEC 60947-1, IEC 60947-5-1, EN 60947-1, EN 60947-5-1, UL508 and CSA C22-2 n°14 | |
| Certifications – Approvals | UL – CSA | |
| Air temperature near the device - during operation - for storage | -25°C...+70°C/-13°F...158°F -30°C...+80°C/-22°F...+176°F | |
| Climatic withstand | According to IEC 68-2-3 and salty mist according to IEC 68-2-11 | |
| Mounting positions | All positions are authorized | |
| Shock withstand (according to IEC 68-2-27 and 60068-2-27) (1/2 sinusoidal shock for 11ms) no change in contact position | 10g/0.35oz Limit switch with key actuator 40g/1.41oz Limit switch for hinge (pin/shaft) or pull wire (rope) | |
| Protection against electrical shocks (according to IEC 536) | Class II | Class I |
| Degree of protection (according to IEC 529 and EN 60529) | IP65 | IP66 |

Electrical Data

| | | |
|---|--|---|
| | Plastic Body | Metal body |
| Rated insulation voltage U_i -according to IEC 60947-1 and EN 60947-1 | 500V (degree of pollution 3) | 400V (PS21,PS42), 500V (PS31,PS43) (degree of pollution 3) |
| -according to UL 508, CSA C22-2 n°14 | A 600 Q600 | A 300 Q 300 (PS21, PS42) A 600 Q 600 (PS31, PS43) |
| Rated impulse withstand voltage U_{imp} (according to IEC 60947-1 and EN 60947-1) | 6kV | |
| Conventional enclosed thermal current I_{the} (according to IEC 60947-1 and EN 60947-5-1) ($\theta \leq 40^\circ\text{C}$) | 10A | |
| Short-circuit protection - gG type fuses | 10A | |
| Rated operational current | | |
| I_e / AC-15 - acc.to IEC 60947-5-1 | 24VAC (50/60 Hz) 130VAC (50/60 Hz) 230VAC (50/60 Hz) 240VAC (50/60 Hz) 400VAC (50/60 Hz) | 10.0A 5.5A 3.1A 3.0A 1.8A |
| - acc.to UL 508, CSA C22 n°14 | Q 600 | Q 300 (PS21/42) Q 600 (PS31/43) |
| I_e / DC-13 - acc.to IEC 60947-5-1 | 24VDC 110VDC 250VDC | 2.8A 0.6A 0.27A |
| - acc.to UL 508, CSA C22 n°14 | Q 600 | Q 300 (PS21/42) Q 600 (PS31/43) |
| Electrical durability (according to IEC 60497-5-1 annex C) - max. switching frequency Cycles/h - load factor | Utilization categories AC-15 and DC-13 (see curves and value below) 3600 0.5 | |
| Connecting data of contact blocks Connecting terminals Connecting capacity 1 or 2 x mm ² / AWG Terminal marking | M3.5 (+,-) pozidriv 2 screw with cable clamp 0.5mm² / AWG 20 to 2.5mm² / AWG 14 According to EN 50013 | |
| Positivity | Contacts with positive opening operation as per IEC 60947-5-1 chapter 3 | |

Diagram for snap action contact:

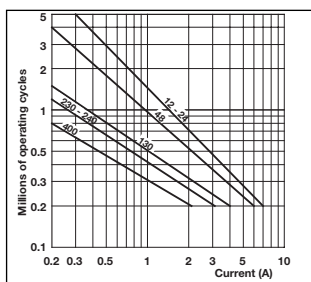
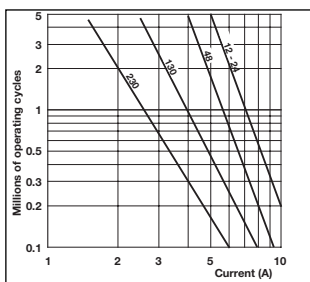


Diagram for slow action contact:



Electrical durability for DC-13 utilization category

| | | |
|---|-------------|-------------|
| Power breaking for a durability of 5 million operating cycles | | |
| | Snap action | Slow action |
| Voltage 24V | 9.5W | 12W |
| Voltage 48V | 6.8W | 9W |
| Voltage 110V | 3.6W | 6W |

Limit Switches - Limit Type (PS21S/H/R) Plastic Body IP65

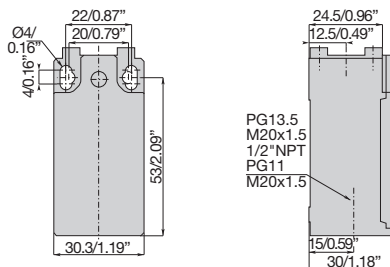


● Cable Gland

- P** = one cable inlet PG13.5 cable gland
- M** = one cable inlet M20x1.5 cable gland
- N** = one cable inlet 1/2" NPT cable gland
- B** = one cable inlet PG11 cable gland
- A** = one cable inlet M16x1.5 cable gland

▲ Contact block (Zb type)

| | | | | | |
|-------------------------------------|--|--|--|--|--|
| S11 (1NO+1NC) Snap Action | | T11 (1NO+1NC) Non overlapping Slow action | | O11 (1NO+1NC) Overlapping Slow Action | |
| T02 (2NC) Slow Action | | S02 (2NC) Snap Action | | | |



| | | | | |
|--|--|------------|------------|------------|
| | | S11 | T11 | O11 |
| | | T02 | S02 | |

| | | | |
|-----------------------------|-------------------|----------------------------|----------------|
| Conformity / (NC) | EN 50047 / (NC) | 90° adjustable head | |
| Max. Actuation speed | 0.5m/s / 1.64ft/s | Code | PS21S-●▲05-T00 |
| Min. force or torque | 15N / 30Nm | | |
| Weight | 78.0g / 2.751oz | | |

| | | | | |
|--|--|------------|------------|------------|
| | | S11 | T11 | O11 |
| | | T02 | S02 | |

| | | | |
|-----------------------------|-------------------|----------------------------|----------------|
| Conformity / (NC) | EN 50047 / (NC) | Fully turnable head | |
| Max. Actuation speed | 0.5m/s / 1.64ft/s | Code | PS21S-●▲09-T00 |
| Min. force or torque | 15N / 30Nm | | |
| Weight | 99.0g / 3.492oz | | |

| | | | | |
|--|--|------------|------------|------------|
| | | S11 | T11 | O11 |
| | | T02 | S02 | |

| | | | |
|-----------------------------|-------------------|------------------------|--------------------------------------|
| Conformity / (NC) | EN 50047 / (NC) | Shaft for hinge | |
| Max. Actuation speed | 0.5m/s / 1.64ft/s | Code | Zinc plated steel Stainless steel |
| Min. force or torque | 0.12N / 0.60Nm | | PS21H-●▲HZ-T00 PS21H-●▲HS-T00 |
| Weight | 98.0g / 3.457oz | | |

| | | | | |
|--|--|------------|------------|------------|
| | | S11 | T11 | O11 |
| | | T02 | S02 | |

| | | | |
|-----------------------------|-------------------|--------------------------------|----------------|
| Conformity / (NC) | EN 50047 / (NC) | Zinc plated steel lever | |
| Max. Actuation speed | 0.5m/s / 1.64ft/s | Code | PS21H-●▲HC-T00 |
| Min. force or torque | 0.12N / 0.60Nm | | |
| Weight | 117.0g / 4.127oz | | |

| | | | | | |
|--|--|--|------------|------------|------------|
| | | | S11 | T11 | O11 |
| | | | | | |
| | | | T02 | S02 | |
| | | | | | |

| | | | |
|-----------------------------|--------------------------|--|-----------------------|
| Conformity / (NC) | - / (NC) | Pull wire without reset for simple stop | |
| Max. Actuation speed | - | Code | PS21R- N6-T00 |
| Max wire length | 6m/19.68ft ÷ 15m/49.21ft | | |
| Weight | 130.0g / 4.586oz | | |

| | | | | | |
|--|--|--|------------|------------|------------|
| | | | S11 | T11 | O11 |
| | | | | | |
| | | | T02 | S02 | |
| | | | | | |

| | | | |
|-----------------------------|--------------------------|--|-----------------------|
| Conformity / (NC) | EN 50047 / (NC) | Pull wire with reset for emergency stop | |
| Max. Actuation speed | - | Code | PS21R- N7-TK0 |
| Max wire length | 6m/19.68ft ÷ 15m/49.21ft | | |
| Weight | 135.0g / 4.762oz | | |

Operating Key

| | | | | | | |
|--------------------------------------|--------------------------------------|--------------------------------------|--------------------------------------|---|---|---------------------------------------|
| | | | | | | |
| K13 Bent Key 22mm/0.87" | K14 Flat Key 22mm/0.87" | K15 Bent Key 13mm/0.51" | K16 Flat Key 13mm/0.51" | K17 Shock absorbing bent key | K18 Shock absorbing flat key | K19 Adjustable joint key |
| | | | | | | |

Accessories for Pull Wire Limit Switches

| | | | |
|---------------------------|-----------------------------|---------------------------|--|
| | | | |
| OCC 8 Stay Bolt | MOR 05 Rope Clamp | RED 05 Rope Eye | FUN 05 Rope 5mm x 100m 0.20" x 328.08ft |